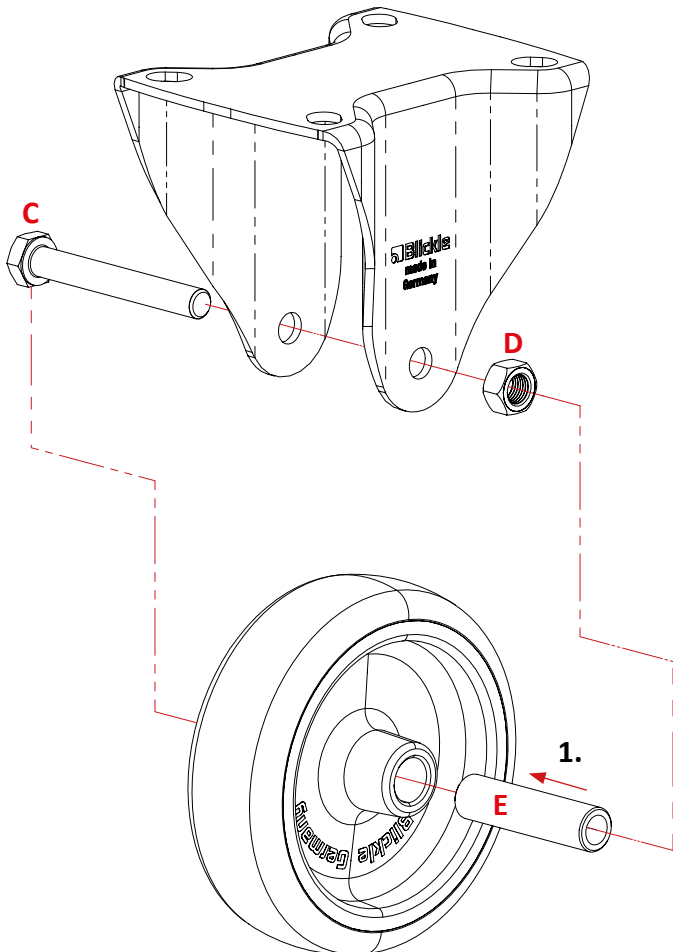
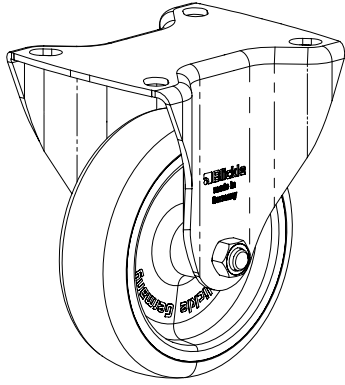


1

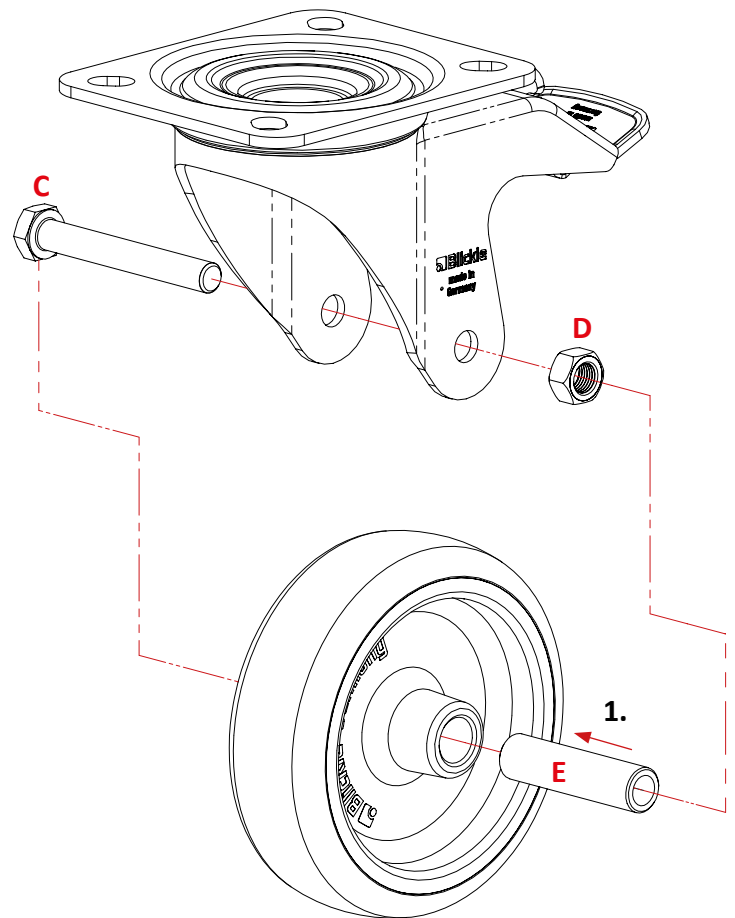
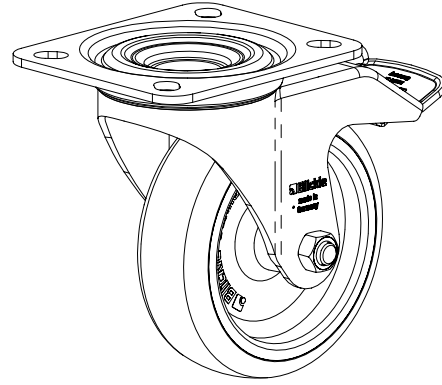
08-RS-300-600-2LF-2B
 08-RS-300-600-4LF
 08-RS-300-600-4LF-2B
 08-RS-300-600-6LF

	A	8x M10x16 mm	
	B	4x	
	C	4x M8x60 mm	
	D	16x M8	
	E	4x	

Bockrolle - Fixed castor - Roulette fixe

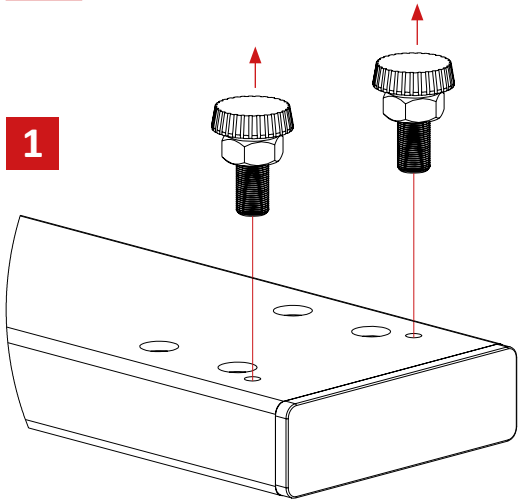


Lenkrolle - Swivel castor - Roulette pivotante

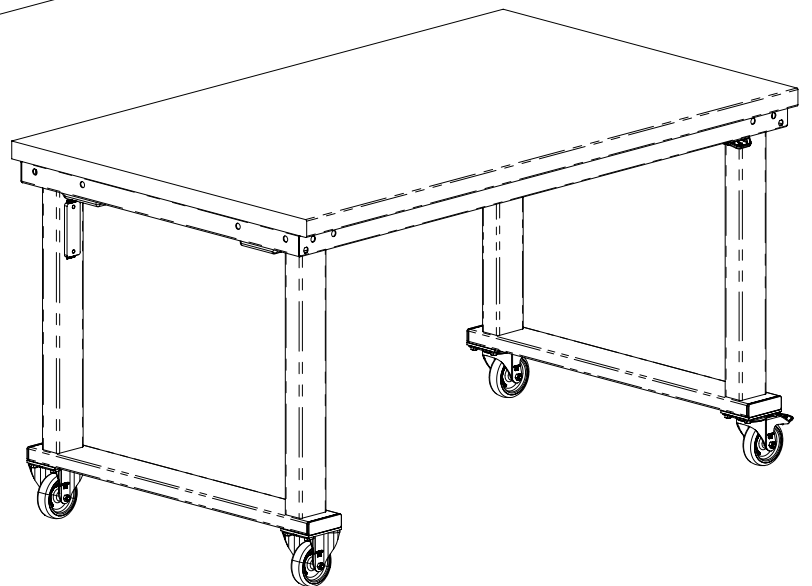
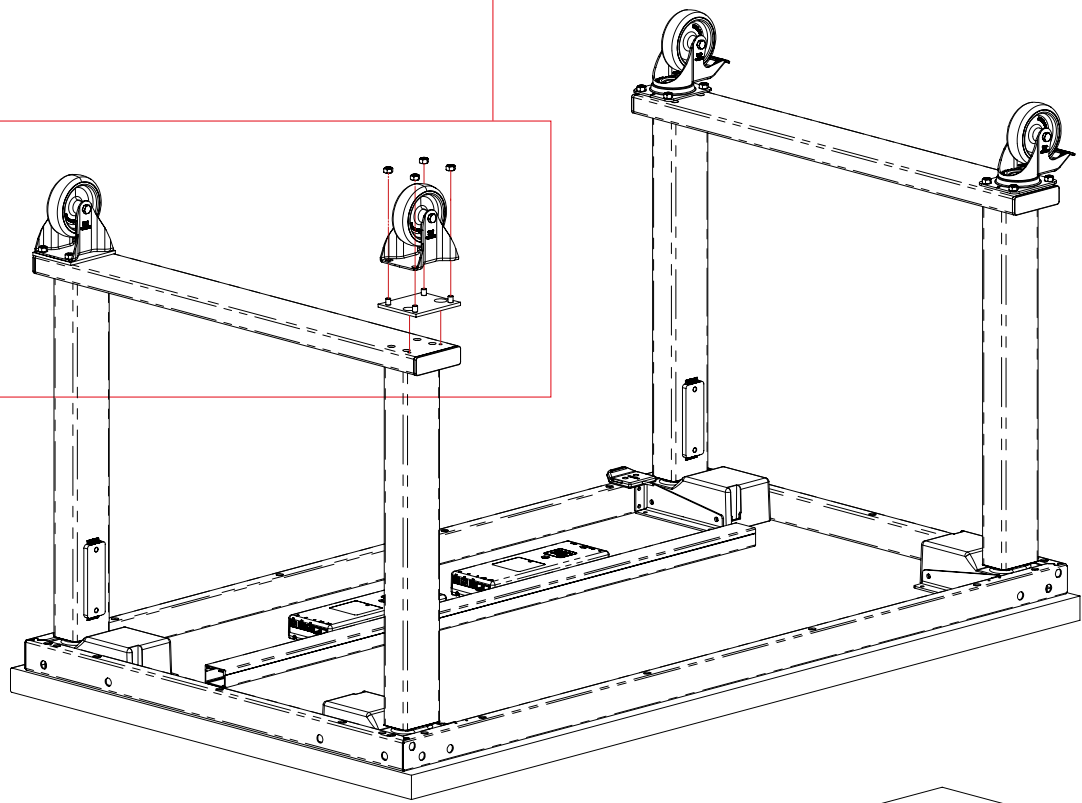
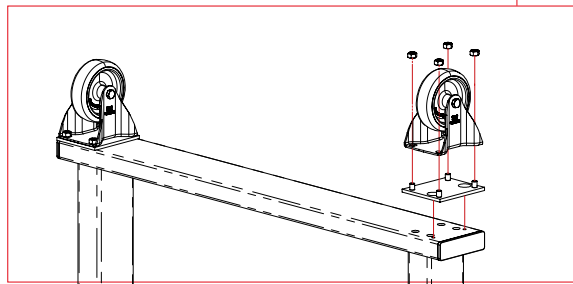
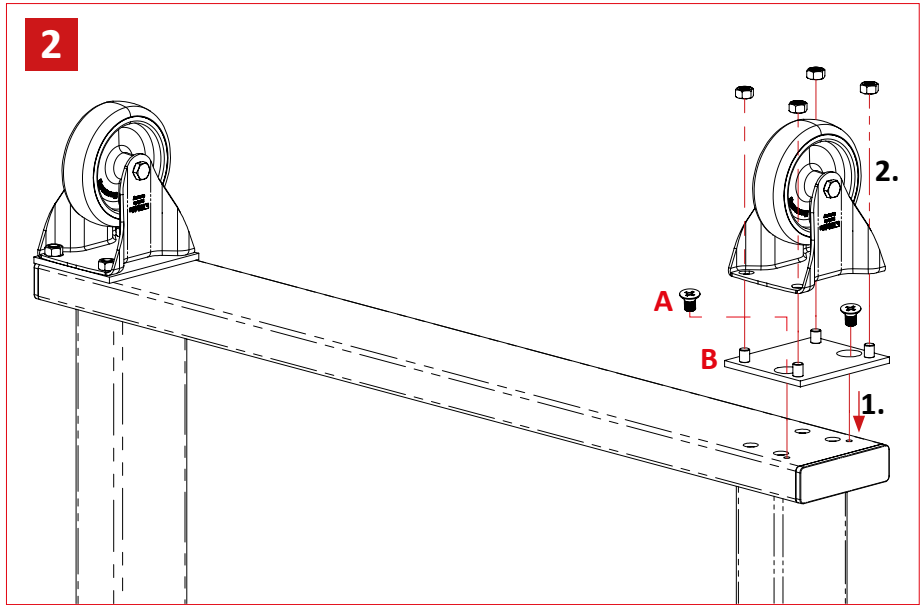


1.1

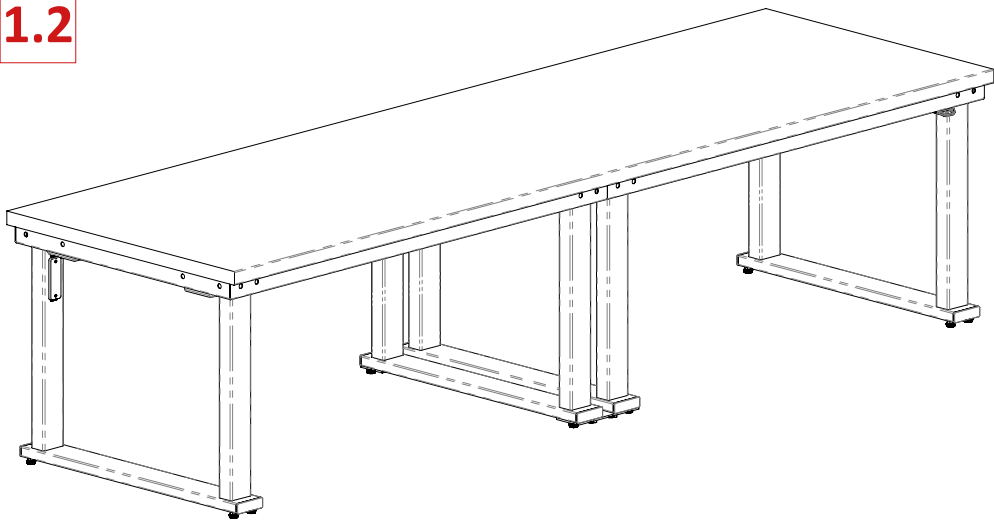
1



2

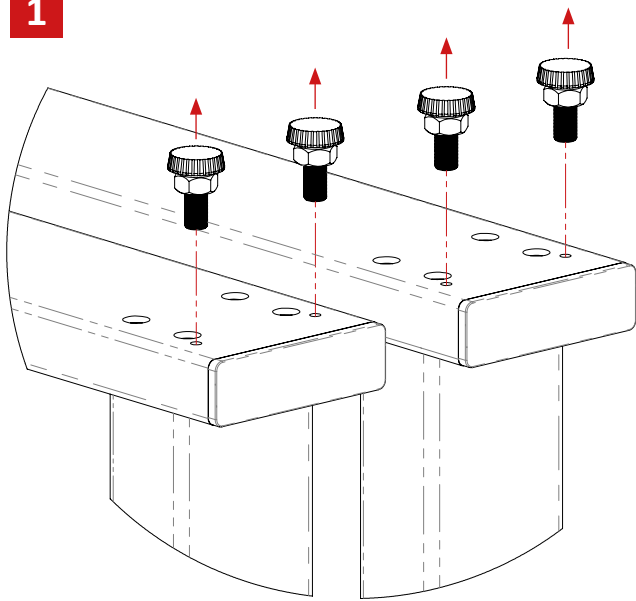


1.2

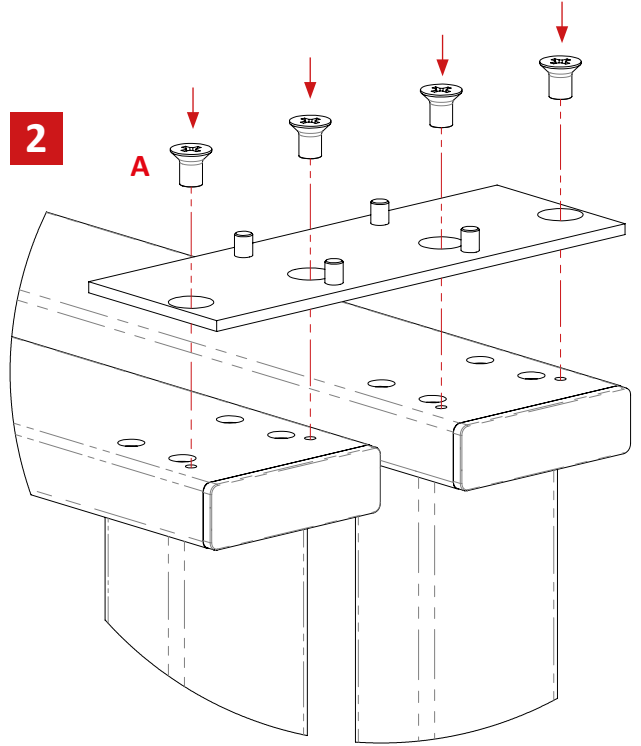


	A	16x M10x16 mm	
	B	4x	
	C	4x M8x60 mm	
	D	32x M8	
	E	6x	

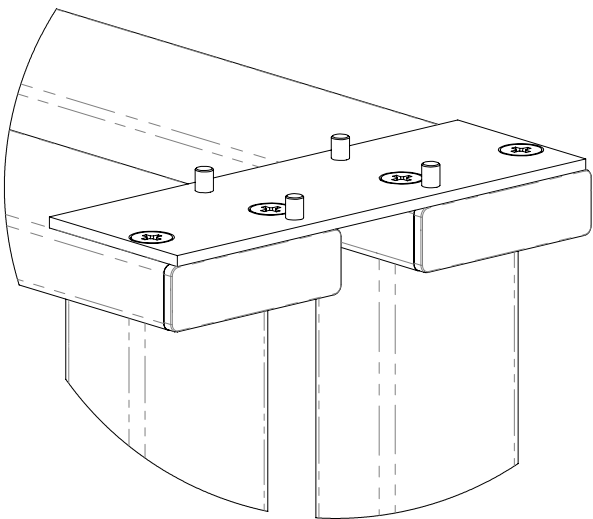
1



2



3



4

